

## WB-BASIC ACCESS DOOR

The WB-Basic Access Door is a cost-effective solution, perfect for bidding on any project. This door is manufactured from satin-coat galvanized steel, powder coat white and available in a range of popular sizes, ready for installation. It is easily installed using prelocated mounting holes.

### FEATURES

<b>Door and Trim</b>	18 ga. galvanized
<b>Return Frame</b>	18 ga. galvanized
<b>Hinge</b>	Pin hinge top and bottom. Allows opening to 165°. Piano hinge on doors larger than 24" x 24"
<b>Latch</b>	Flush, stainless steel cam operated with screwdriver. Latches are positioned opposite hinge as well as top and bottom on larger sizes.
<b>Finish</b>	White powder coat finish
<b>Options</b> (at extra cost)	<ul style="list-style-type: none"> <li>• Key cylinder lock with key (code 151)</li> <li>• Stainless Steel #304 or #316 (#4 satin finish)</li> </ul>

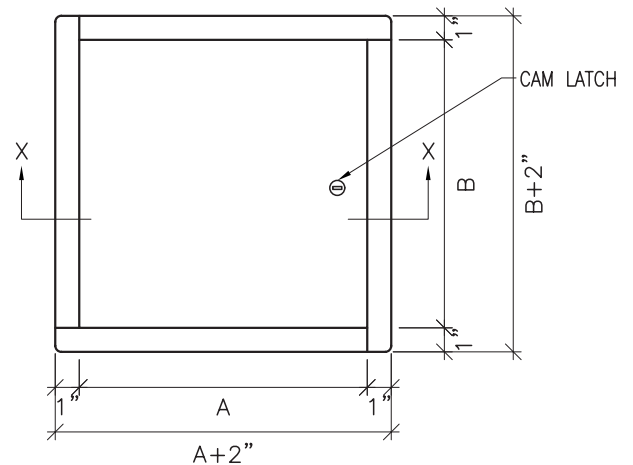
Model No.	A x B Door Size	Cam Latch	Shipping Weight (lbs) Steel/Stainless
WB-Basic 6x6	6" x 6"	1	2
WB-Basic 8x8	8" x 8"	1	3
WB-Basic 10x10	10" x 10"	1	4
WB-Basic 12x12	12" x 12"	1	5
WB-Basic 14x14	14" x 14"	3	6
WB-Basic 16x16	16" x 16"	3	8
WB-Basic 18x18	18" x 18"	3	11
WB-Basic 22x22	22" x 22"	4	15
WB-Basic 24x24	24" x 24"	4	17
WB-Basic 24x36	24" x 36"	5	16
WB-Basic 24x48	24" x 48"	6	23
WB-Basic 30x30	30" x 30"	6	19

Rough wall opening = door size + 1/4"

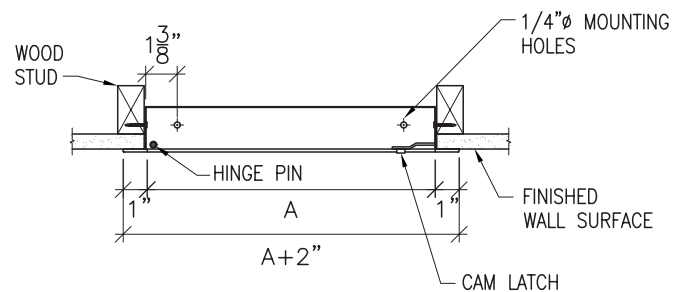


WB-BASIC

### DIMENSIONS



Elevation



Section Detail

